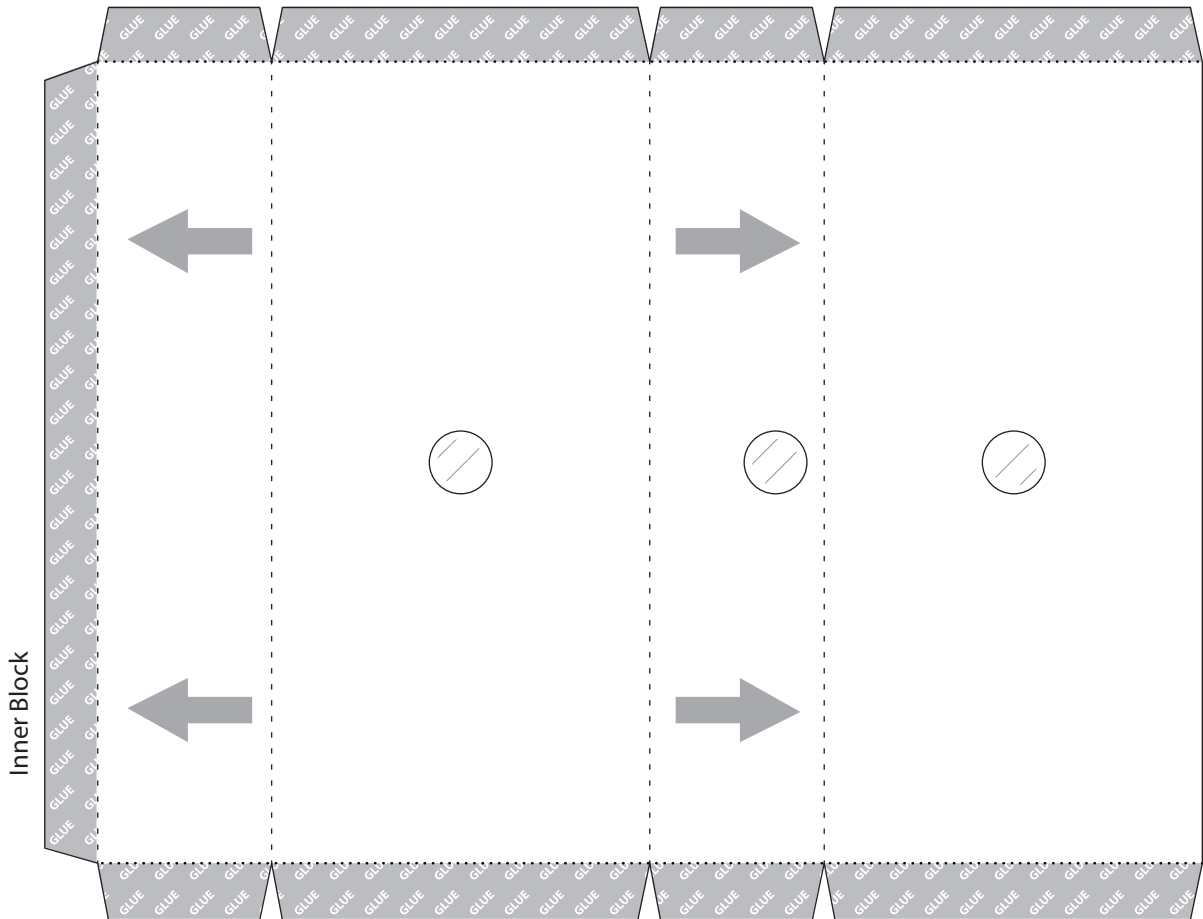


Pinion Axle Inner

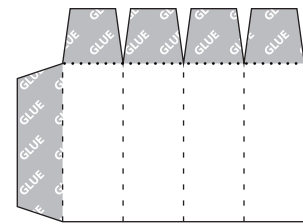
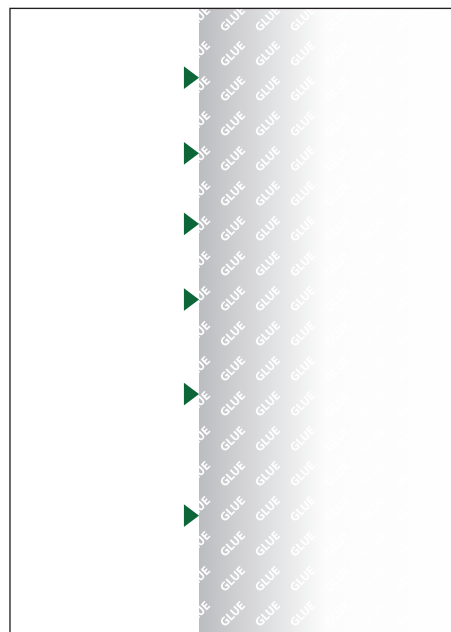
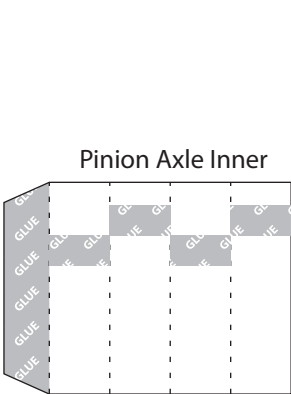
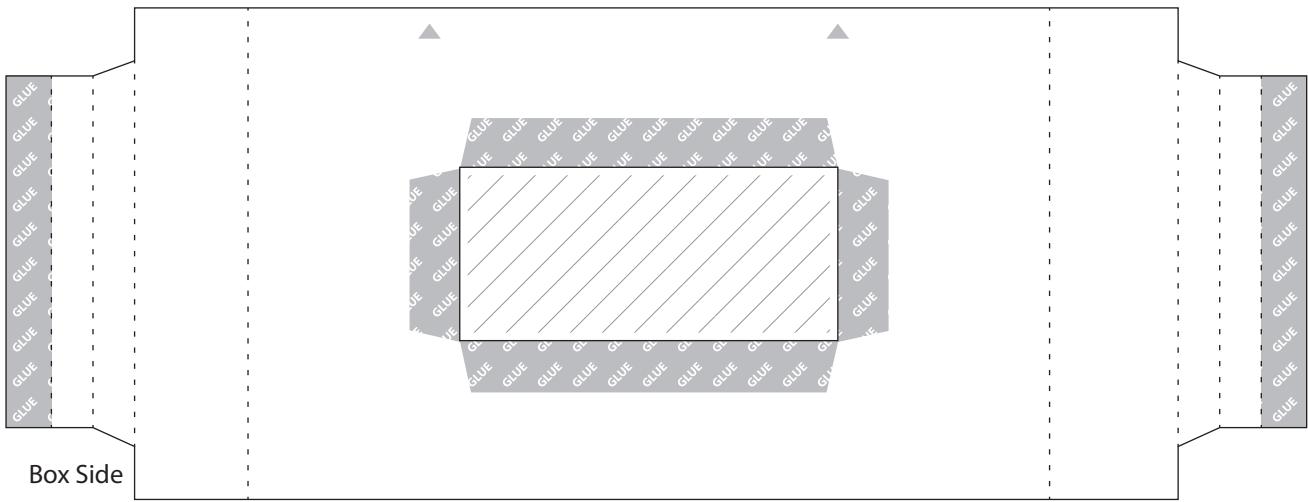
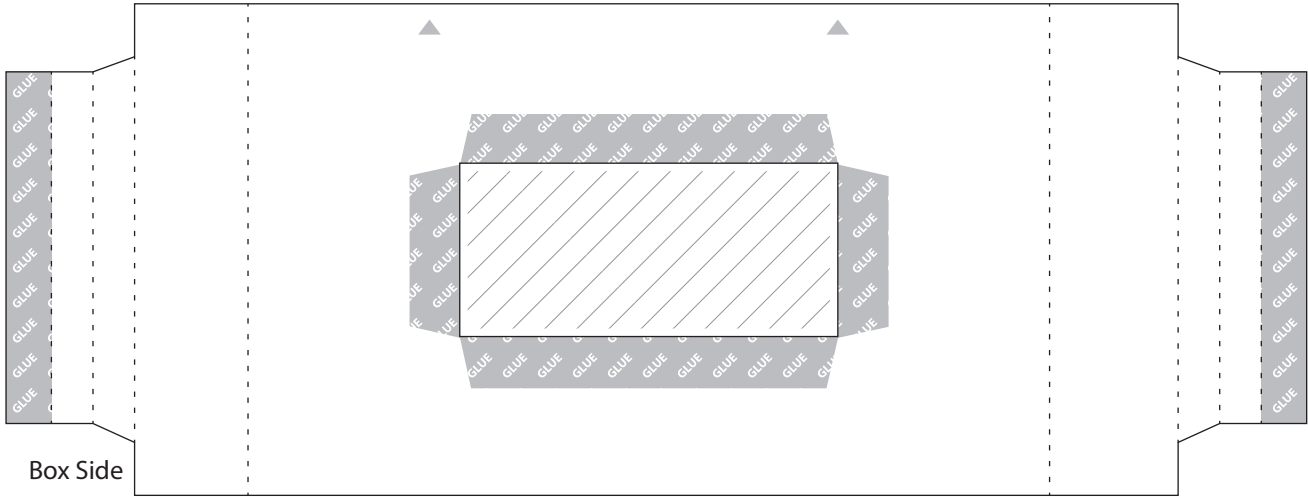


Leaf Spring



Instructions for construction  
[www.robives.com/product/meshgear1232](http://www.robives.com/product/meshgear1232)

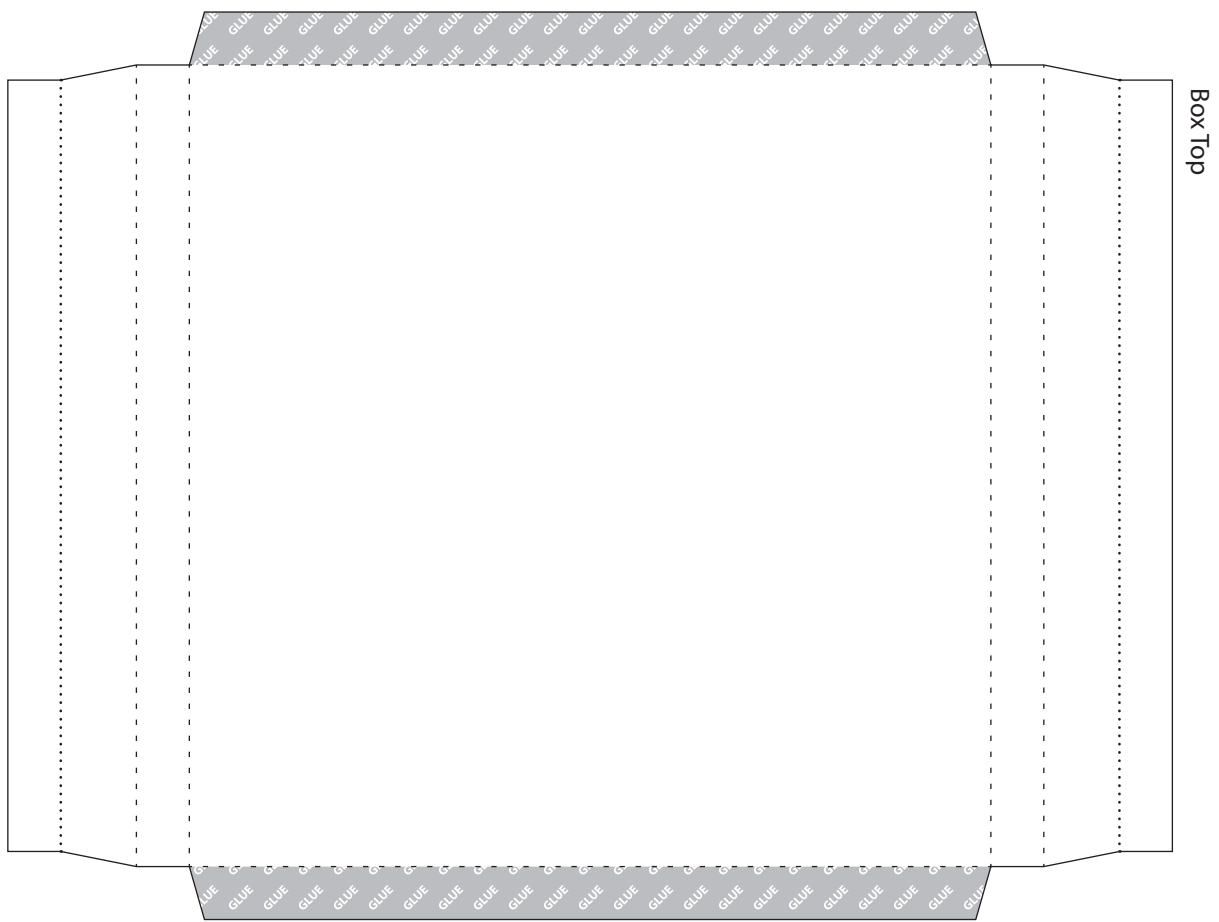
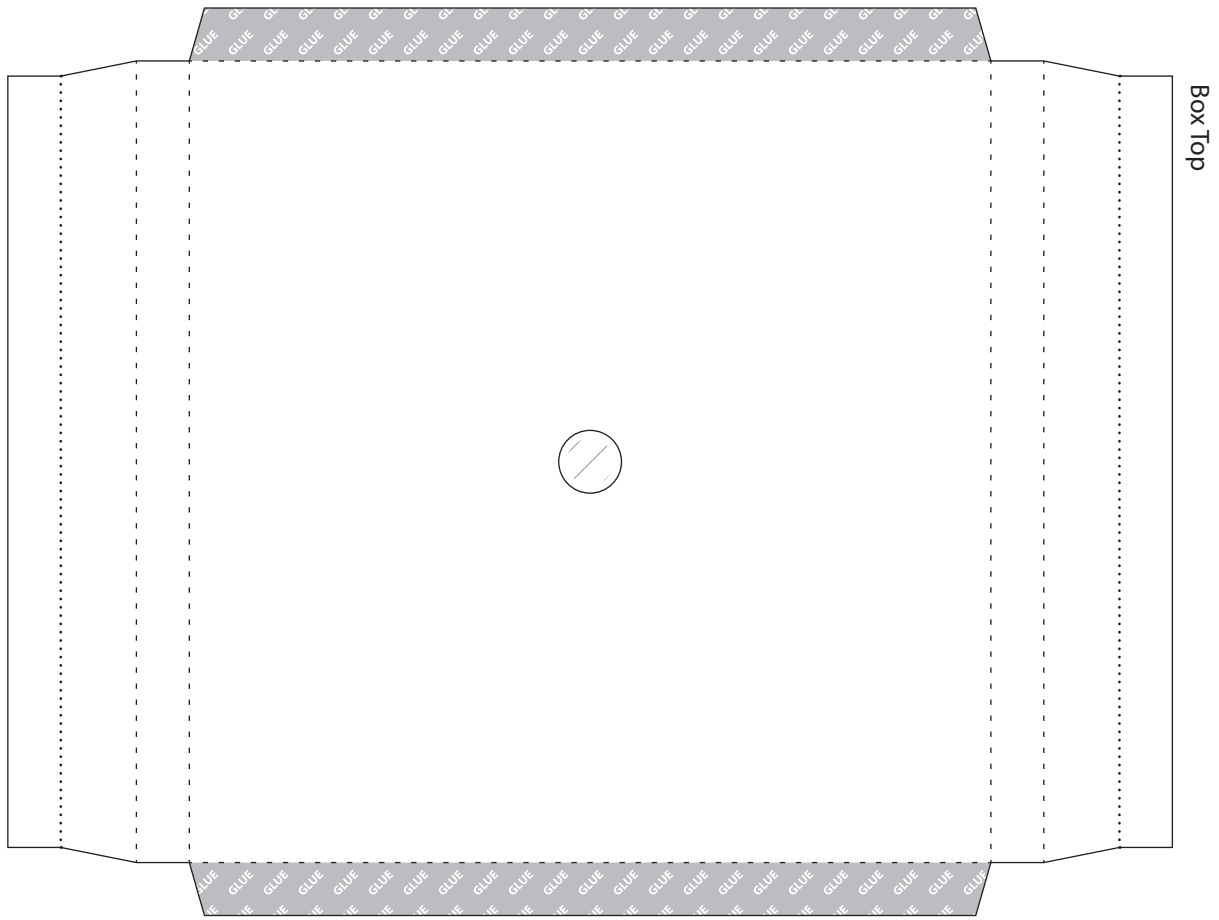
# MESH GEAR 12:32



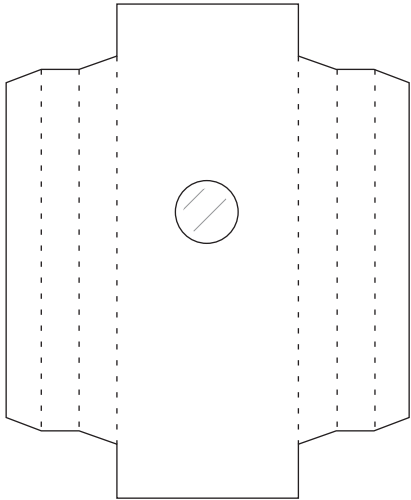
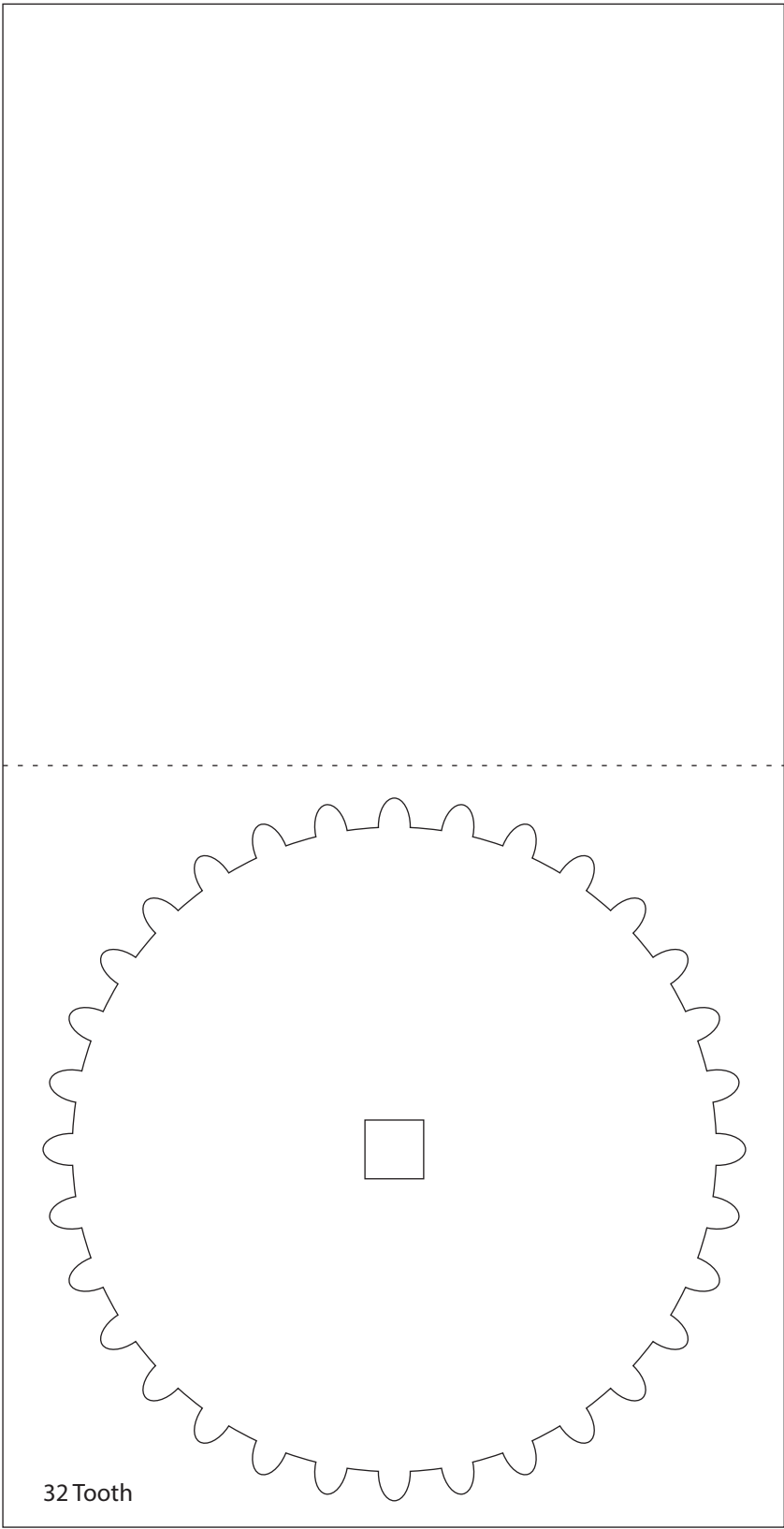
Rob Ives / robives.com



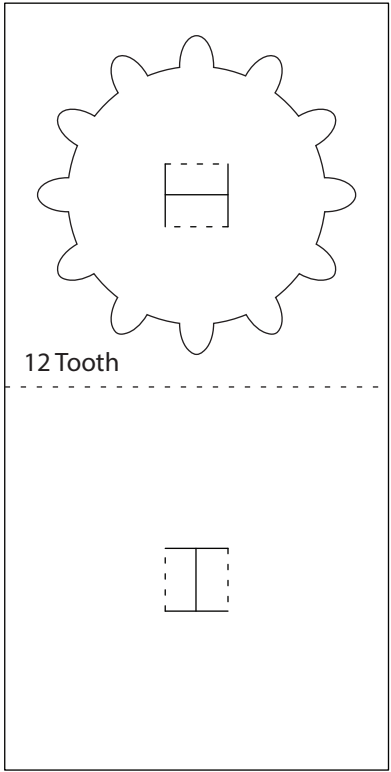
# MESH GEAR 12:32



# MESH GEAR 12:32



Pinion Cover



# MESH GEAR 12:32